

Plunger Pumps

FEATURING

MANIFOLD: High strength forged brass for long term use.

BOLTS: Four 10mm grade 8.8.

PISTONS: Ceramic coated stainless steel for longer pump life in harsh environments.

CRANKCASE: Precision die-cast, large cooling fins for maximum heat dissipation.

BEARINGS: Oversized for maximum life and load disbursement, a large angular contact ball bearing stabilizes the crankshaft and one thrust bearing absorbs the plunger load to assure long radial plate life. All of the thrust plates are made of heat treated hardened steel for extended use hours.

VALVES, SEATS, AND SPRINGS: Stainless steel with specially designed Ultra Form cages provide that are impervious to water absorption and provide long life and positive seating.

SEALS AND V-PACKINGS: Continuously lubricating for extended life.

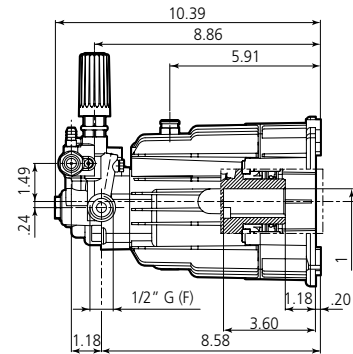
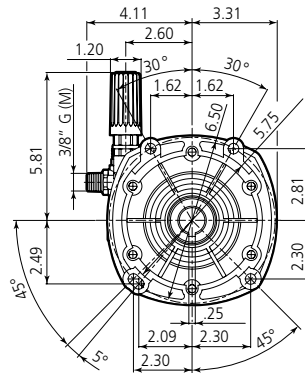
UNLOADER: Built in manifold of pump to optimize performance while reducing setup time. Integral trap pressure, fixed or adjustable chemical injector.

DIMENSIONS



BKV

D version
Hollow shaft pump ϕ 1"



SPECIFICATIONS

MODEL	MAX GPM	MAX LMP	MAX PSI	MAX BAR	POWER EBHP	BORE DIA MM	STROKE MM	CRANKSHAFT ID STAMP	WEIGHT LBS.
BKV3G30D	3.0	11.4	3000	205	6.2	15	7.6	8	21.6
BKV3.5G30D	3.5	13.2	3000	205	7.2	15	8.55	9	21.6
BKV4G30D	4.0	15.1	3000	205	8.2	15	9.52	10	21.6

Oil Capacity = 9.5 oz

Maximum Fluid Temperature = 140° F

Inlet Thread = 1/2" F

Discharge Thread = 3/8" M

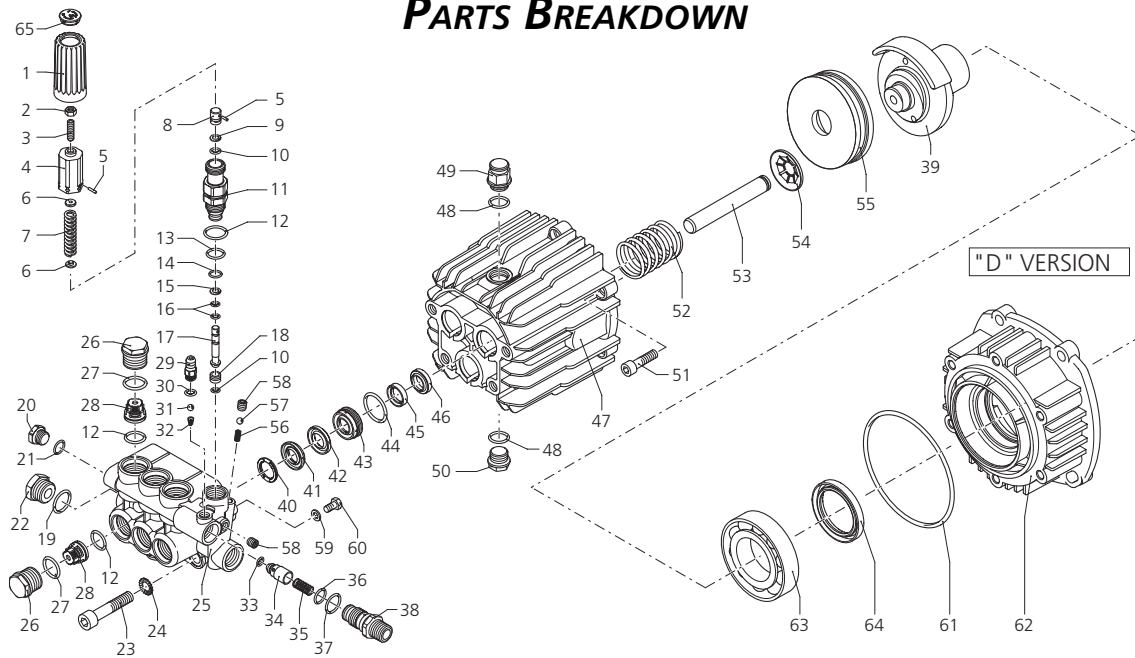
Torque Specifications Inch pounds (ft. lbs)

HEAD	PISTON NUT	REAR COVER	SIDE COVER	VALVE CAP	CON RODS
442 (37)	N/A	217 (18)	N/A	442 (37)	N/A

SPECIAL NOTE: Use only AR64545 for the XJ/SJ/BK Series pumps only: Do NOT change oil. Use oil only to add if low. This oil is a specially formulated synthetic with special additives for the demands of the XJ, SJ and BK pump series. No other oil is factory approved for these pumps, and could result in pump failure.



PARTS BREAKDOWN



Pos.	Code	Description	Qty.	Pos.	Code	Description	Qty.	Legend			
1	1981780	Knob	1	40	1780130	Support ring	3	∅ 15	∅ 15	∅ 15	
2	1980300	Nut	1	41	1260130	Gasket	3	For ○	For □	For ▼	
3	1540560	Grub screw	1	42	1781030	Ring	3	BKV3G30D	BKV3.5G30D	BKV4G30D	
4	1980390	Handle insert	1	43	1781020	Piston guide	3				
5	1080070	Pin	2	44	770260	O-Ring	3				
6	1980220	Plate spring	2	45	1260440	Gasket	3				
7	1271070	Spring	1	46	1260460	Seal	3				
8	1080041	Upper piston	1	47	2460240	Housing	1				
9	1080401	Ring	1	48	740290	O-Ring	2				
10	1080250	O-Ring	2	49	1980380	Plug	1	Water Seal	Valve	Pistons	Oil Seals
11	1980210	Piston guide	1	50	1980740	Plug 3/8 G Brass	1	Kit 2156	Kit 1864	Kit 2154	Kit 2155
12	880830	O-Ring	7	51	620610	Screw	6	Pos. Qty.	Pos. Qty.	Pos. Qty.	Pos. Qty.
13	740290	O-Ring	1	52	2460590	Spring	3	41 3	12 6	53 3	46 3
14	800560	O-Ring	1	53	2460100	Piston	3	42 3	28 6		64 1
15	1271170	Ring	1	54	2460130	Ring	3	44 3			
16	1080190	O-Ring	2	55	2460080	Bearing	1	45 3			
17	1271160	Lower piston	1	56	1981800	Spring	1				
18	2460420	Valve seat	1	57	1982240	Ball	1				
19	180101	O-Ring	1	58	1982440	Grub screw	2				
20	880581	Plug	1	59	1982570	Washer	1				
21	820510	O-Ring	1	60	2460810	Screw	1				
22	820361	Plug	1	61	1780510	O-Ring	1				
23	680210	Screw	4	62	2460230	Flange	1				
24	650530	Washer	4	63	2460060	Bearing	1				
25	2460940	Pump head	1	64	2460260	Seal	1				
26	1260162	Plug	6	65	1981770	Knob plug	1				
27	960160	O-Ring	6								
28	1269050	Complete valve	6								
29	1560490	Hose tail	1								
30	480480	O-Ring	1								
31	1250280	Ball	1								
32	1560520	Spring	1								
33	1460430	O-Ring	1								
34	1540170	Jet	1								
35	1080091	Spring	1								
36	394280	O-Ring	1								
37	1200690	O-Ring	1								
38	1270471	Detergent injector	1								
39	2460560	Shaft	○ 1								
	2460550	Shaft	□ 1								
	2460410	Shaft	▼ 1								

Legend

∅ 15	∅ 15	∅ 15
For ○	For □	For ▼
BKV3G30D	BKV3.5G30D	BKV4G30D

Repair Kits

Water Seal Kit 2156		Valve Kit 1864		Pistons Kit 2154		Oil Seals Kit 2155	
Pos.	Qty.	Pos.	Qty.	Pos.	Qty.	Pos.	Qty.
41	3	12	6	53	3	46	3
42	3	28	6			64	1
44	3						
45	3						

O-Rings Kit 2157		Support Ring Kit 2740	
Pos.	Qty.	Pos.	Qty.
9	1	16	2
10	1	19	1
12	7	21	1
13	1	27	6
14	1	30	1
15	1	31	1
		32	1
		33	1
		36	1
		37	1
		48	2
		61	1
		40	3

